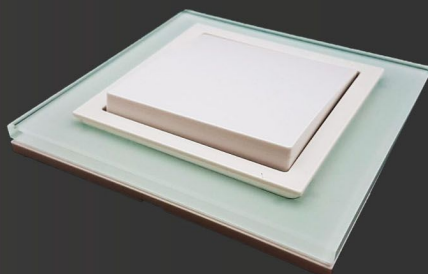
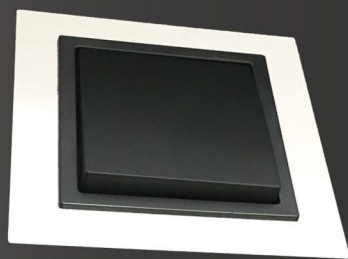


SERIE  
**simon V8**

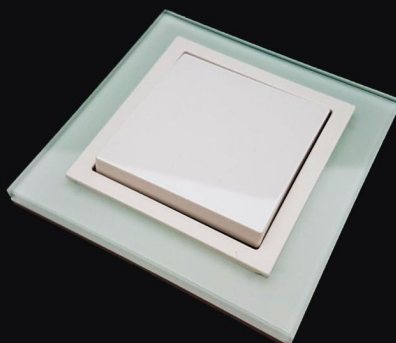


**simon**  
enjoy  
electricity ●  
SINCE 1916 FROM BARCELONA

SERIE  
**simon V8**



Inspired by the effect of the elements on materials, Simon V8 Series envelops emblematic spaces with a minimalist design and unique materials; Stainless Steel and Glass.





### V8 Multi Gang Frame

The multi-gang frame keeps the wall neat and instill a touch of luxury and elegant personality to your home

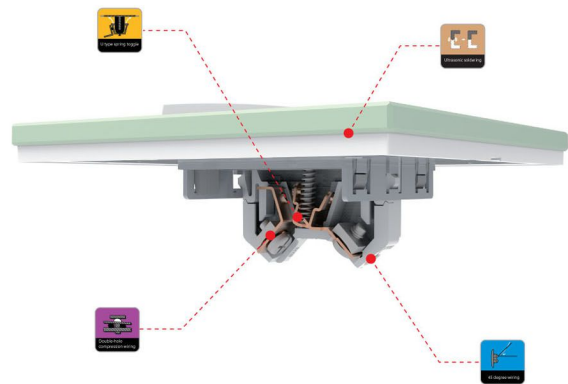
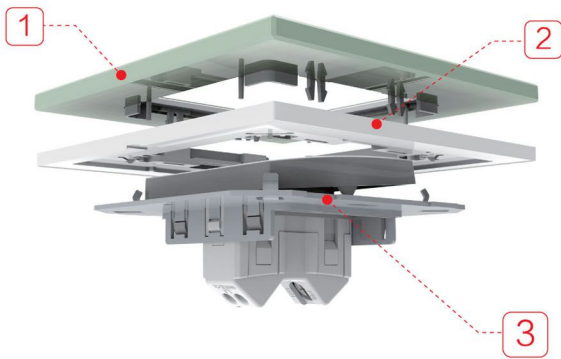
SERIE  
**simon V8**  
NATURE





Make it personal.  
Our laser marking service allows you to customise your switch with personalized contents. An useful convenient for the entire family, friends or colleagues.

simon



SERIE **simon V8**

### Greater protection: safer and more durable

**No:1**  
Glass / Metal frame

Using the tempered glass and stainless steel, the frame are tough, strong and anti-abrasive while it exudes the aura of luxury.

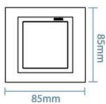
**No:2**  
Insulating layer

Made from the highest quality polycarbonate(PC). It is resistance to heat, flame and impact. The design also offers Dual protection between the frame and mechanism.

**No:3**  
Insulated steel baseboard

Stainless steel baseboard coated with insulating materials that allows better integration between switch and mounting box.

SIZE



### Benefits

**Releiable and environmentally friendly**

**Easier wiring connectivity in a limited space and reducing installation time.**

**The large section area gives excellent conductivity while reducing overheats.**

**Instantaneous on/off mode.**

**Customized frames available in different colors, suitable for any environment.**

**Multi-gang frame, tidy and unique.**

**Suitable for many types of cables.**

**Specially designed with child safety features**

**Recyclable and environmentally friendly materials.**

8

NEW



Authorized Dealer

[www.simon.com.my](http://www.simon.com.my)

